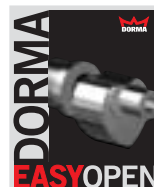




Cam-action
door closer

DORMA

**TS 90
Impulse**



High-tech for the global market

The DORMA TS 90 Impulse combines technical superiority with outstanding value, and unites advanced design with convenient functionality – all on the basis of its heart-shaped cam.

With its installation versatility and inherent functional reliability, it is ideal for virtually any application. DORMA TS 90 Impulse:

Certified to ISO 9001

Benefits

For the trade

- Unique DORMA cam action technology for the entry-level segment, compliant with EN 1154.
- Complete package for easy stocking.
- Sets new standards to open up new markets.

For the installer/fabricator

- Easy to fix without mounting backplate.
- Non-handed.
- Four installation arrangements with one model.
- Proven DORMA quality for long service life.

For the architect/specifier

- Proven technology of the heart-shaped cam.
- Cost-efficient slide channel door closer for interior doors.

For the user

- Convenient, low-resistance opening with fully controlled closing.
- Two regulating valves for precise adjustment of closing speed.
- Available with hold-open and cushioned limit stay options.

Data and features		TS 90 Impulse
Closing force	Size	EN 3
Standard doors ¹⁾	≤ 950 mm	●
External doors, outward opening ¹⁾		-
Fire and smoke check doors		●
Non-handed		●
Arm assembly	Slide channel	●
Two independent valves for closing speed adjustment	160° – 15° 15° – 0°	●
Cushioned limit stay (mechanical)		○
Delayed action		-
Hold-open		○
Weight in kg		1.7
Dimensions in mm	Length	246
	Overall depth	46
	Height	57
Door closer compliant with EN 1154		●
CE mark for construction products		●

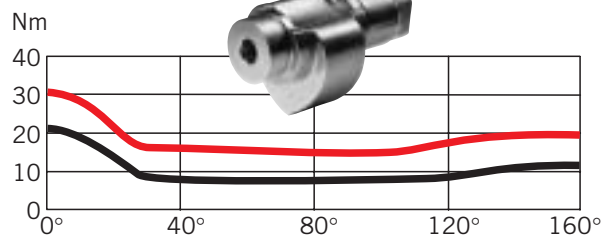
● yes – no ○ option

¹⁾ In the case of particularly heavy doors and doors that have to close against wind pressure, we recommend the DORMA TS 93.



The DORMA TS 90 Impulse is CERTIFIRE approved (Certificate No. CF 119) for door types ITT 120.

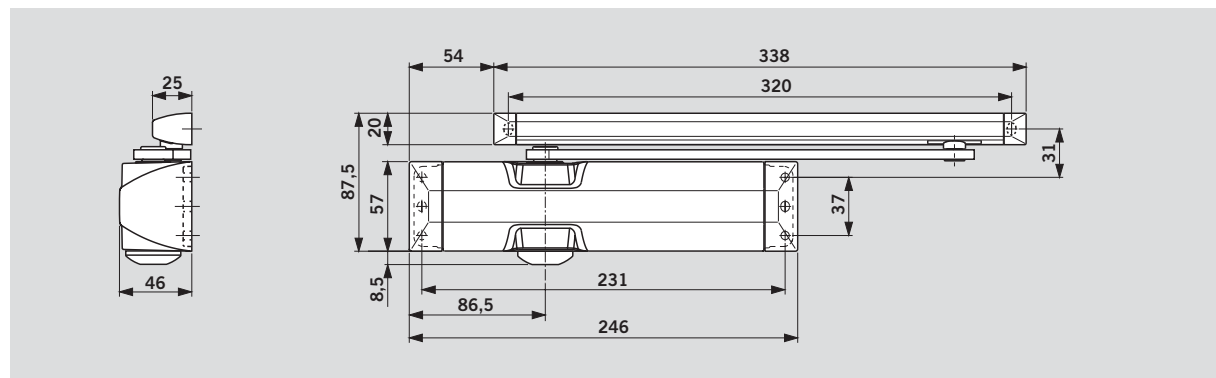
Force profiles



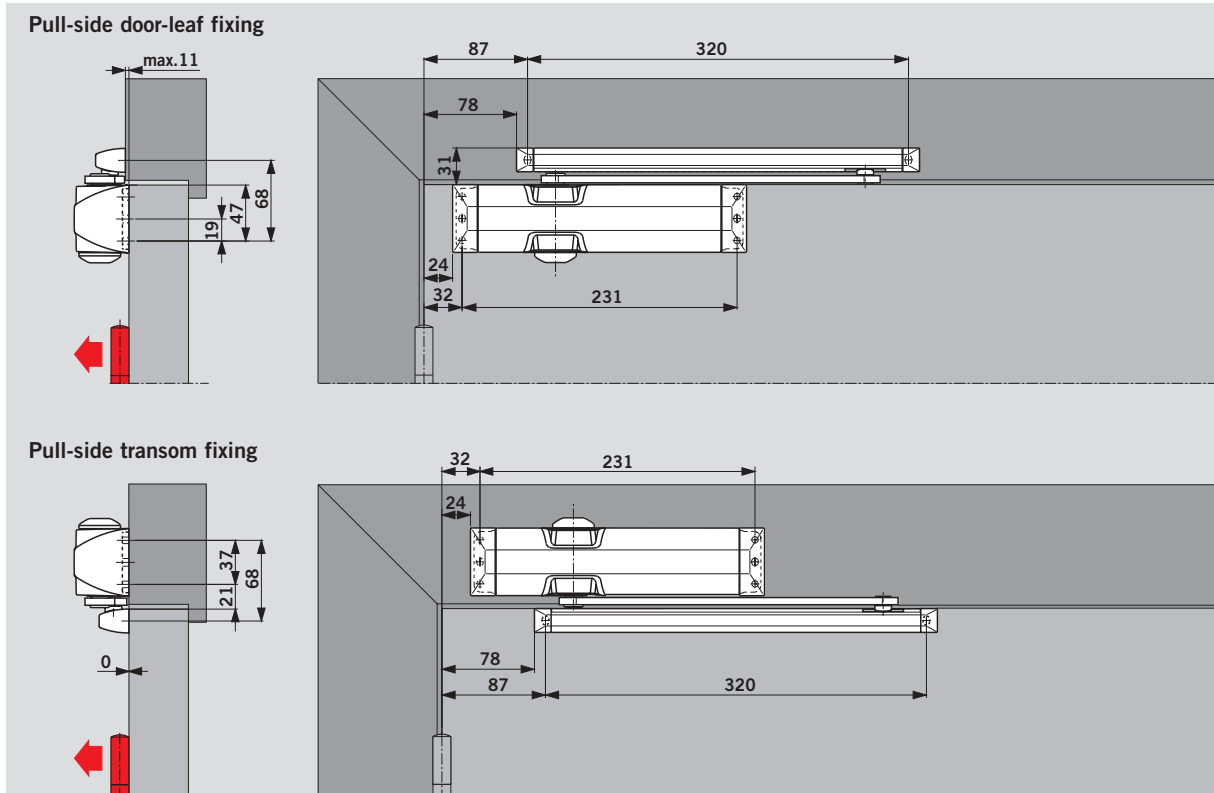
The heart-shaped cam and the linear drive mechanism of the DORMA TS 90 Impulse ensure that the resistance encountered decreases almost instantly with the door opening action – so even children, the elderly and people with disabilities have no problem in opening the door.

User-friendly and reliable closing is also ensured by the delayed increase in the actuating torque at the “latching” end of the sweep.

— Opening force
— Closing force

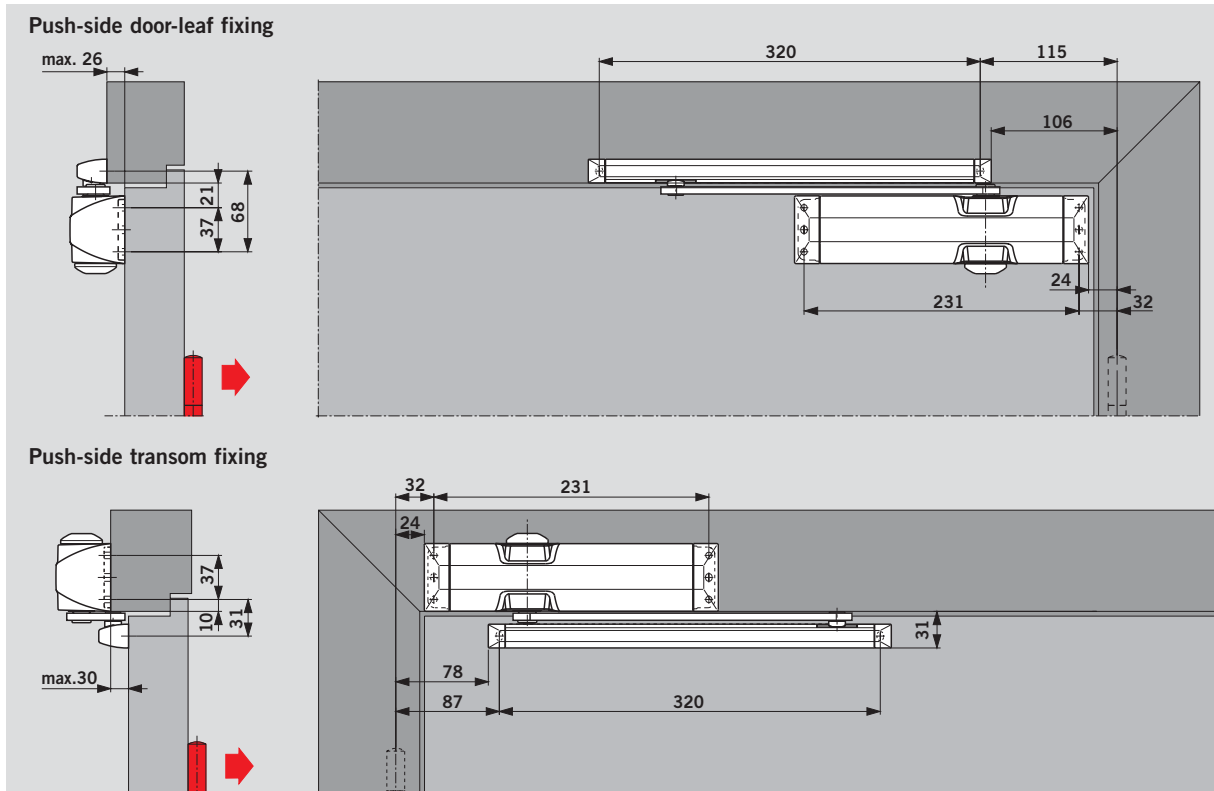


Pull-side fixing (example: LH/ISO 6 door; mirror image for RH/ISO 5 door)



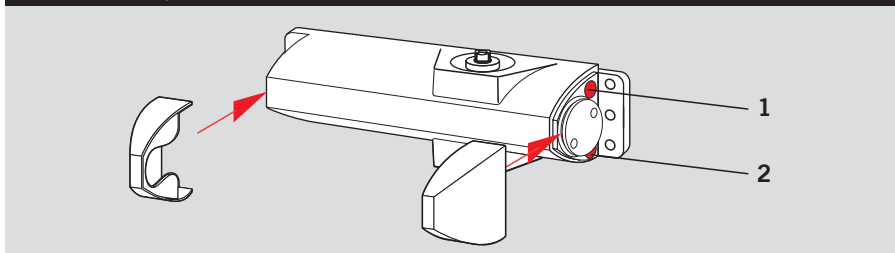
Closing action available from approx. 160°. It is recommended to install the cushioned limit stay or position a door stop at this point. **A door stop must be installed in the case of fire and smoke check doors.**

Push-side door-leaf fixing (example: LH/ISO 6 door; mirror image for RH/ISO 5 door)



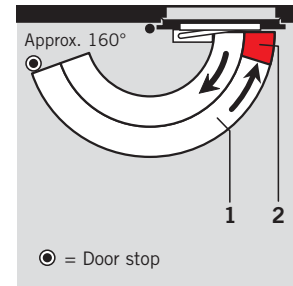
Depending on the structural conditions, the door opening angle is likely to be limited to approx. 95°. It is recommended to install the cushioned limit stay or position a door stop at this point.

Standard and optional functions



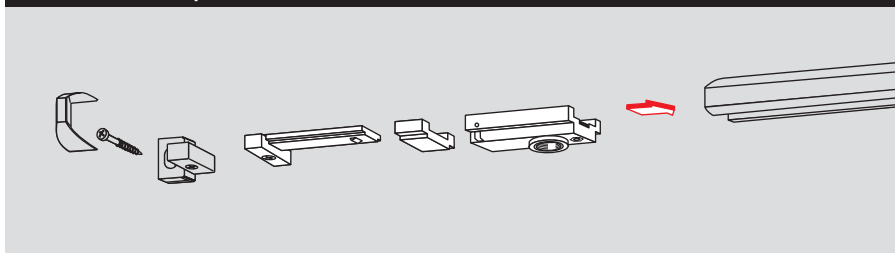
The **closing speed** of the DORMA TS 90 Impulse is adjustable in two independent ranges at the valves indicated.

With the DORMA TS 90 Impulse, the **closing force** is permanently set at EN 3.



- 1 Infinitely variable closing speed in the range 160° – 15°
- 2 Infinitely variable closing speed in the range 15° – 0°

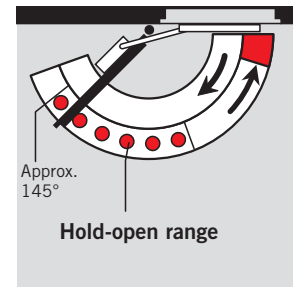
Mechanical hold-open device



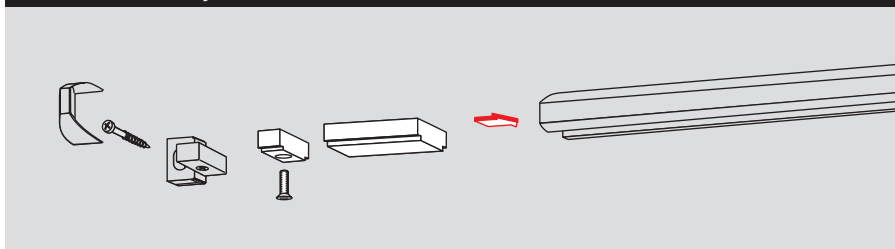
The hold-open device enables doors to be precisely held without any fall-back up to an opening angle of approx. 145°.

The hold-open device is suitable for both LH and RH doors and is designed for retrofitting to the slide channel.

Not for fire and smoke doors.



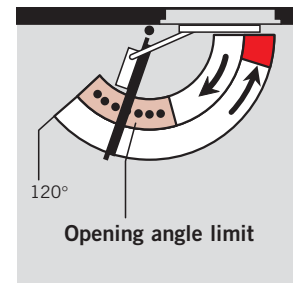
Cushioned limit stay



Cushioned limit stay for retrofitting by insertion in the slide channel. Adjustable between 80° and max. 120°.

Use of the cushioned limit stay helps to prevent a normally opened door from colliding with adjacent walls.

The cushioned limit stay is not an overload protection device and in many cases is no substitute for a door stop.



Door Control Division worldwide

www.dorma.com

Central Europe

DORMA GmbH + Co. KG
Breckerfelder Str. 42-48
D-58256 Ennepetal
Tel. +49 23 33/793-0
Fax +49 23 33/793-495

North America

DORMA Architectural Hardware
DORMA Drive, Drawer AC
Reamstown, PA 17567
Tel. +1-800-523-8483
Fax +1-800-274-9724

Australia

DORMA Door Controls Pty. Ltd.
52 Abbott Road
Hallam/Victoria 3803
Australia
Tel. +61 3/97 96 35 55
Fax +61 3/97 96 39 55

Scanbalt

DORMA Danmark A/S
Sindalvej 6 - 8
DK-2610 Rødovre
Tel. +45 44/54 30 00
Fax +45 44/94 95 04

Emerging Markets

DORMA GmbH + Co. KG
Breckerfelder Str. 42-48
D-58256 Ennepetal
Tel. +49 23 33/793-0
Fax +49 23 33/793-495

South America

DORMA Sistemas de Controles
para Portas Ltda.
Av. Piracema, 1400
Centro Empresarial Tambore
CEP 06400 Barueri/
São Paulo, Brasil
Tel. +55 11/41 91 32 44
Fax +55 11/41 91 21 93

DORMA Door Controls (Pty.) Ltd.
Kings Court, 4A Mineral Crescent
ZA-2000 Crown/Gauteng
South Africa
Tel. +27 11/8 30 02 80
Fax +27 11/8 30 02 91

South-East Europe

DORMA AUSTRIA GmbH
Pebering Strass 22
A-5301 Eugendorf
Tel. +43 62 25/2 84 88
Fax +43 62 25/2 84 91

Far East

DORMA Door Controls Pte. Ltd.
No. 2 Jalan Terusan,
Jurong
Singapore 619285
Tel. +65 62 68/76 33
Fax +65 62 65/79 14

South Europe

DORMA Italiana S.r.l.
Via. A. Canova 44/46
I-20035 Lissone (MI)
Tel. +39 039/24 40 31
Fax +39 039/24 40 33 10

DORMA Door Controls Pte. Ltd.
Room 701, Technology Plaza
651 King's Road
North Point
Hong Kong
Tel. +825/250 34632
Fax +825/288 75370

DORMA Ibérica, S.A.
Camino San Martin de la Vega, 4
E-28500 Arganda del Rey
(Madrid)
Tel. +34 91/8 75 78 50
Fax +34 91/8 75 78 81

France

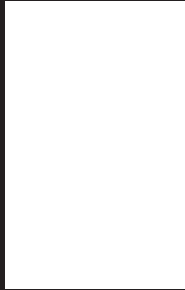
DORMA France S.A.S.
Europarc
42, rue Eugène Dupuis
F-94046 Créteil
Tel. +33 1/41 94 24 00
Fax +33 1/41 94 24 01

UK/Ireland

DORMA UK Ltd.
Door Controls Division
Wilbury Way
GB-Hitchin
Hertfordshire SG4 0AB
Tel. +44 14 62/47 76 00
Fax +44 14 62/47 76 01

Gulf

DORMA Gulf Door Controls FZE
Jebel Ali Free Zone,
Roundabout 8,
Unit VC 02
Dubai, United Arab Emirates
Tel. +971 48/83 90 14
Fax +971 48/83 90 15



Door Control



Automatic



Glass
Fittings and
Accessories



Security/
Time and
Access (STA)



Movable
Walls

